



# Purchase Agreement

## CULINARY EQUIPMENT & SUPPLIES

09/21/2015

**To:**  
US Foods - Philadelphia  
Jim Weitzel  
2255 High Hill Rd.  
Bridgeport, NJ 08014-  
8564674900  
(856)467-4900 0000 (Contact)

**Project:**  
Churrascaria Saudades  
203 E Main St  
Newark, DE

**From:**  
Micro Matic USA, Inc.  
Deanna Barton  
2386 Simon Ct.  
Brooksville, FL 34604-0751  
(352)593-2063  
(352)593-2063 (Contact)

Job Reference Number: US Foods

---

Salesperson: Tom Ginthner  
800-345-3020  
484-695-6080 (cell)  
tcg@micro-matic.com

---

Item	Qty	Description
82	1 ea	<b>BEER TOWER HEAD</b> Micro Matic USA Model No. METRO-T-8PSSKR Metropolis "T" Draft Beer Tower, countertop, 24"W x 16"H, glycol-cooled (Kool-Rite integrated module), (8) 304 stainless steel faucets (handles not included), 2-1/2" O.C., 12" faucet clearance, 304 stainless steel product lines & leak-proof shanks, includes cooling block & copper coolant lines, mounting gaskets & hardware provided, 4" dia. column with 6" dia. base, polished stainless steel finish, NSF
	1 ea	1 year parts & labor warranty, standard
	1 ea	DP-MET-T-24 Drip Tray, surface mount, 24" x 8" x 3/4" cutout, 18-gauge stainless steel construction, removable perforated screen with stainless steel finish, welded corners, 3" cutout for draft tower, 1/2" drain, for use with Metropolis "T" draft towers
	1 ea	METRO-H-12PSSKR Metropolis "H" Draft Beer Tower, countertop, 44"W x 16"H, glycol-cooled (Kool-Rite integrated module), (12) 304 stainless steel faucets (handles not included), 3" O.C., 12" faucet clearance, (2) 4" dia. columns with 6" dia. bases, 304 stainless steel product lines & leak-proof shanks, includes cooling block & copper coolant lines, mounting gaskets & hardware provided, polished stainless steel finish, NSF
	1 ea	1 year parts & labor warranty, standard
	1 ea	DP-MET-H-40 Drip Tray, surface mount, 40" x 8" x 3/4" cutout, 1/2" drain, perforated screen, stainless steel finish
	50 ea	CDI842-X GEN-X® Trunk Line, for beer system, (8) 1/4" I.D. Brewmaster II barrier product lines, (2) 3/8" I.D. polyethylene glycol lines, 15 oz. beer per 50 ft, Black Diamond® jacket
	50 ea	CDI842-X GEN-X® Trunk Line, for beer system, (8) 1/4" I.D. Brewmaster II barrier product lines, (2) 3/8" I.D. polyethylene glycol lines, 15 oz.



Item	Qty	Description	Sell	Sell Total
		beer per 50 ft, Black Diamond® jacket		
50 ea		CDI442-X GEN-X® Trunk Line, for beer system, (4) 1/4" I.D. Brewmaster II barrier product lines, (2) 3/8" I.D. polyethylene glycol lines, 15 oz. beer per 50 ft, Black Diamond® jacket		
1 ea		MMPP4301-EP Pro-Line Power Pack Beer System, air cooled, 5 gallon sealed insulated glycol bath, digital thermostat, vertical pump, 75 ft max distance to tower, 1/3 hp compressor, 115v/60/1-ph, 7 amps, NEMA 5-15P, ETL		
1 ea		18 months material & workmanship, 5 year prorated warranty on compressor, standard		
1 ea		MMPP4301-PKG Pro-Line Power Pack Beer System, air cooled, 11.5 gallon sealed insulated glycol bath, digital thermostat, 125 ft max distance to tower, (2) gear pumps with 1/3 HP motors, 1/3 HP compressor, R134a, 115v/60/1-ph, 19.5 amps, NEMA L5-30P each, ETL		
1 ea		18 months material & workmanship, 5 year prorated warranty on compressor, standard		
6 ea		60703 Polar Flo 100% Propylene Glycol, 1 gallon, mix with 2-1/2 parts water		
2 ea		PPR-2818 Power pack Rack, stainless steel		
1 ea		ST1236-31 Liquid Thermometer, for walk-in coolers, mounting bracket, NSF		
1 ea		MV035 In-Line Leak Detector		
1 ea		942B Gas Regulator, double gauge, high pressure, CO2 primary		
1 ea		942BN Gas Regulator, double gauge, high pressure, nitrogen primary		
1 ea		E54 Digital Temperature Controller		
1 ea		MM200-60-40 Pro-Line Gas Blender, double blending panel wall mount, preset pressure, blends 25% CO2/75% N2 (stouts) & 60% CO2/40% N2 (ales & lagers)		
10 ea		83215 Secondary Regulator Panel Kit, includes: (2) pressure, (2) products, gas hoses & beer lines, stainless steel wall brackets		
1 ea		IK-4 Dispense System Installation Kit, 1/4", glycol cooled, includes: 30-stepless clamps (105SL) 50-stepless clamps (140SL) 20-single ear clamps (1314) 30-single ear clamps (1317) 10-1/4" stainless steel tailpiece (526BS) 8-stainless steel splicer 3/8" x 3/8" (SSS-C2) 10-stainless steel splicer 1/4" x 1/4" (SSS-B2) 2-stainless steel elbow 3/8" x 3/8" (SSE-C2) 4-stainless steel U-bend, 3" L (SSU-C2) 1-vinyl hose 3/16" O.D. (547C600) 1-braided vinyl hose, 3/8" I.D. (550WD600C) 12-pre-wrapped glycol lines (CDI-GLY-2) 1-2" barrier tape (CDI-TAPE-2) 1-2" foil tape (ES-2FT) 1-2" foam insulation tape (ES-IT30) 1- 2" moisture tape, (ES-ST), 1- 1-7/8" O/D x 1/2" wall (ES-FR178) 1- 1/2" I.D. x 1/2" wall (ES-I1L)		

Item	Qty	Description	Sell	Sell Total
	1 ea	IK-4A Dispense System Mini-Installation Kit, 1/4", glycol cooled, includes: 20 - stepless clamps (105SL) 20 - stepless clamps (140SL) 20 - single ear clamps (1314) 30 - single ear clamps (1317) 10 - 1/4" stainless steel tailpiece (526BS-304) 10 - stainless steel splicer 1/4" x 1/4" (SSS-B2) 2 - stainless steel elbow 3/8" x 3/8" (SSE-C2) 12 ft - pre-wrapped glycol lines (CDI-GLY-2) 1 - 2" foam installation tape (ES-IT30)		
	20 ea	PRO-MAX-1 PRO-MAX FOB Detector, wall mount, 3"W x 2-3/4"D x 6-1/2"H, stainless steel construction		
	42 ea	170SL Stepless Clamp, 5/16", vinyl hose		
	1 ea	PM1-2-DK PRO-MAX Drain Installation Kit, for use with PRO-MAX-1 or PRO-MAX-2		
	12 ea	WD-023 T Hose, 1/4" ID hose, plastic		
	8 ea	7485E-S Keg Coupler - D System, tap with black lever handle, stainless steel body & handle fork		
	12 ea	7485S Wine Coupler, black ergo lever handle, 304 stainless steel probe, brass finish body, handle & fork		

**DRAFT TOWER****METROPOLIS T - 8 FAUCET 24"**

- Metropolis draft towers have a distinctive art deco style.
- The draft tower is a marketing tool, not just a bar fixture.
- Exterior finish will provide years of durable service.
- All stainless steel contact with the beer for the ultimate in draft purity.



**METRO-T-8PVDKR**  
PVD Brass



**METRO-T-8PSSKR**  
Polished Stainless Steel

Faucet knobs not included.

**NSF** Certified  
by the National  
Sanitation Foundation

**PVD**  
BRASS

**S** Stainless Steel  
Beer Contact

**INSIDE**

The integrated Kool-Rite module provides optimum cooling at the point of dispense. The module construction makes the installation process as simple as PLUG "N" POUR.

[www.micromatic.com](http://www.micromatic.com) • 1 (866) 327-4159

**METROPOLIS T - 8 FAUCET 24"**

Job Number: \_\_\_\_\_ Location: \_\_\_\_\_

Churrascaria Saudades

Micro Matic USA, Inc.

Page: 5

**Specifications**

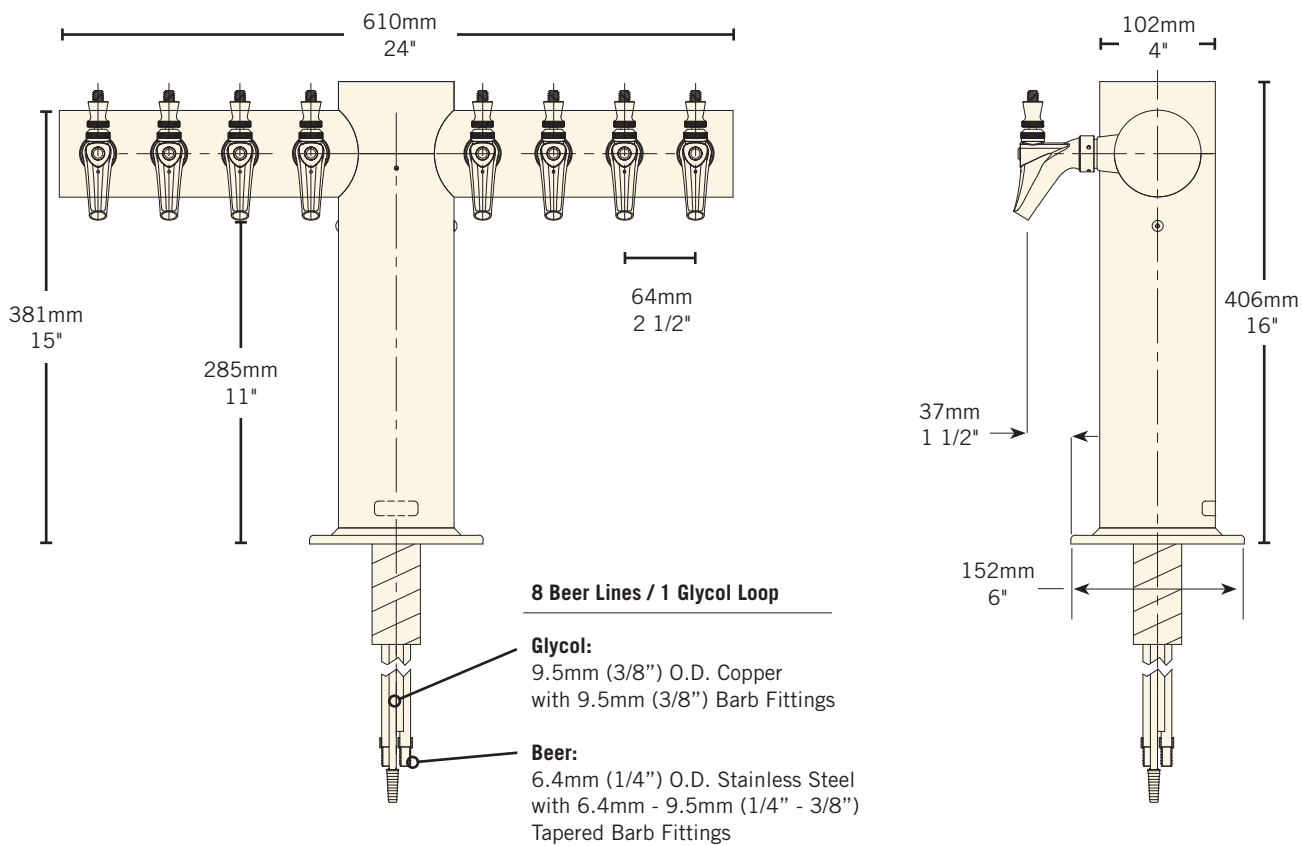
Micro Matic reserves the right to change specifications without notice.



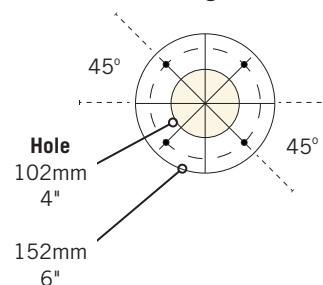
Part No.	Faucets	Finish	Dispense System	Shipping Weight	Box Dimensions
<input type="checkbox"/> METRO-T-8PSSKR*	8	Polished Stainless Steel	Kool-Rite (Glycol)	22 kg 48 lbs	1143mm L x 927mm W x 406mm H 45"L x 36 1/2"W x 16"H
<input checked="" type="checkbox"/> METRO-T-8PVDKR*	8	PVD Brass	Kool-Rite (Glycol)	22 kg 48 lbs	1143mm L x 927mm W x 406mm H 45"L x 36 1/2"W x 16"H

\* NSF Certified

**Dimensions**



**Mounting Guide**



**MICRO MATIC**  
Toll-Free: 1-866-327-4159  
[www.micromatic.com](http://www.micromatic.com)

**West**  
19791 Bahama St.  
Northridge, CA 91324  
Tel. (818) 701-9765  
Fax. (818) 701-9844

**Central**  
10726 North Second St.  
Machesney Park, IL 61115  
Tel. (815) 968-7557  
Fax. (815) 968-0363

**Southeast**  
2364 Simon Ct.  
Brooksville, FL 34604  
Tel. (352) 799-6331  
Fax. (352) 796-2429

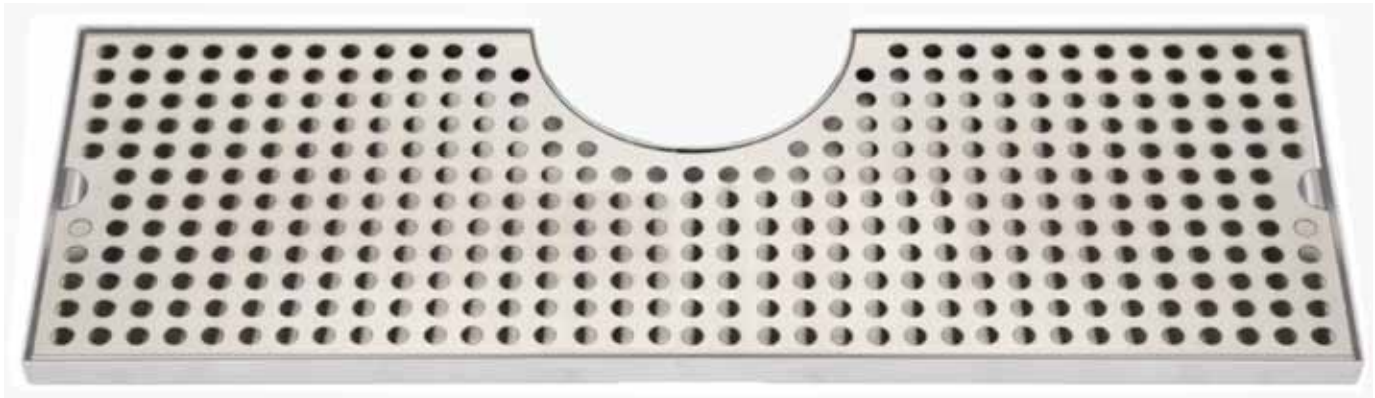
**Northeast**  
4601 Saucon Creek Rd.  
Center Valley, PA 18034  
Tel. (610) 625-4464  
Fax. (610) 625-4466



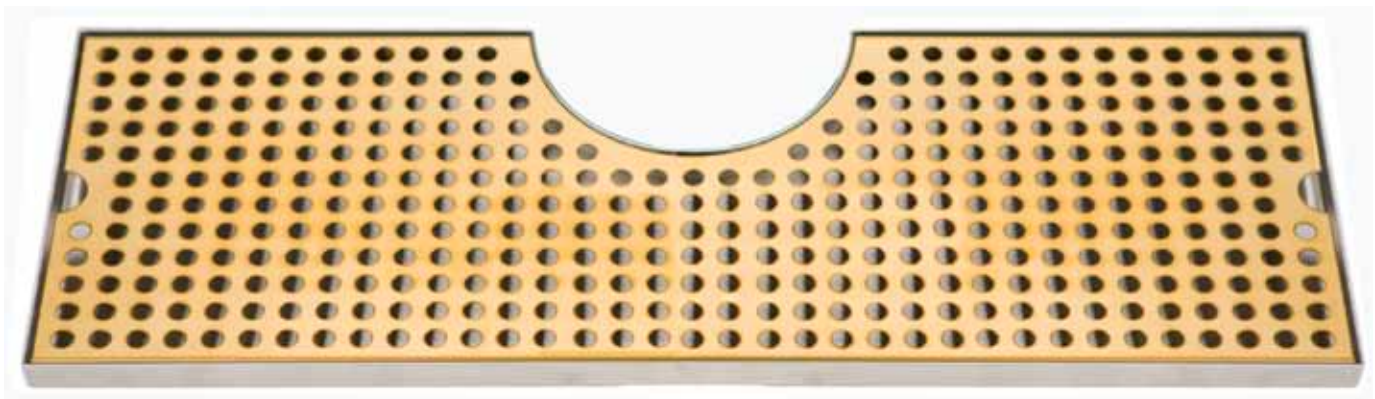
# Drip Tray

Surface Mount Series with Cutout 8" x 24"

- Designed specifically for Metropolis T draft towers.
- Robust 18 gauge stainless steel construction.
- Welded corners, finished smooth for safety and appearance.
- Perforated screen for maximum drip coverage.



Stainless Steel  
[DP-MET-T-24](#)



PVD Brass  
[DP-MET-T-SSPVD24](#)

## Features



Tarnish Free  
PVD Brass.



Stainless Steel for  
hygiene and durability.

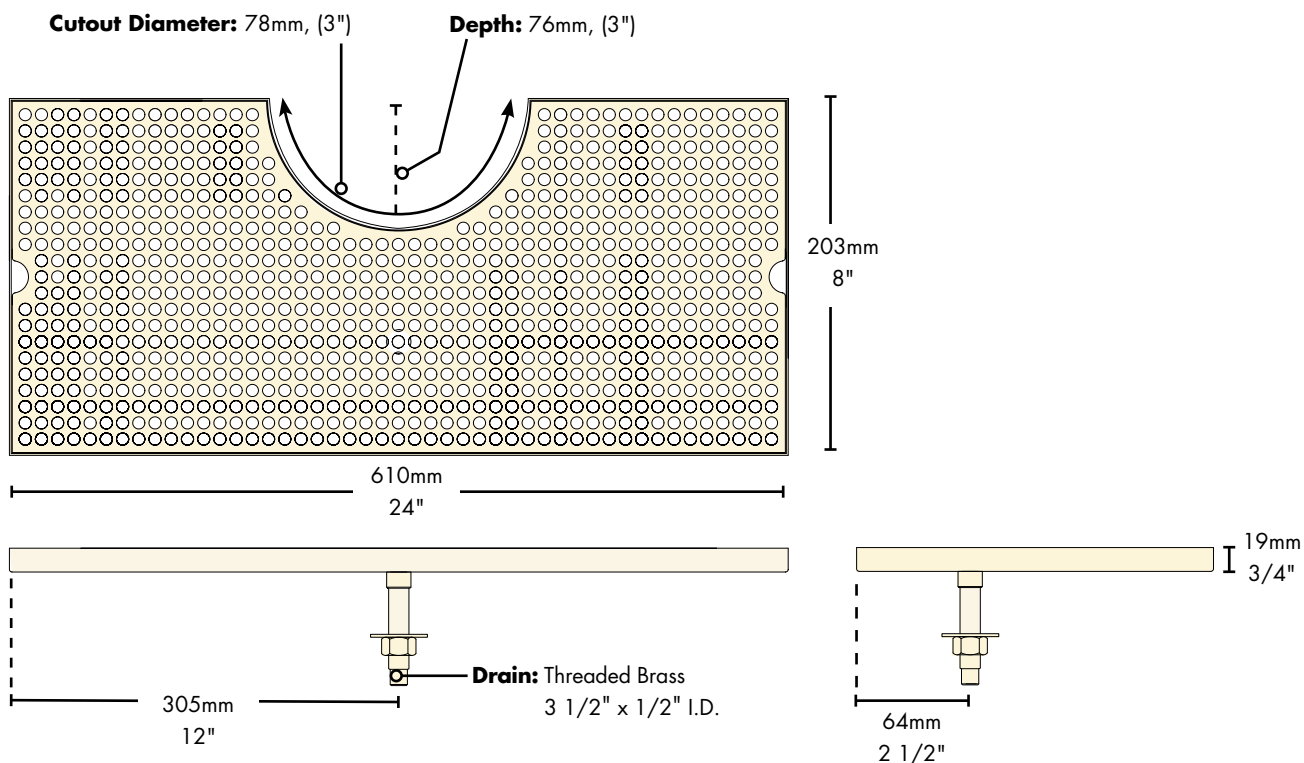
# Specifications

Micro Matic reserves the right to change specifications without notice.

**AUTOQUOTES**

Part No.	Description	Shipping Weight	Box Dimensions
<input type="checkbox"/> <b>DP-MET-T-24</b>	Stainless Steel	3 kg	641mm L x 210mm W x 51mm H
		7 lbs	25 1/4"L x 8 1/4"W x 2"H
<input checked="" type="checkbox"/> <b>DP-MET-T-SSPVD24</b>	PVD Brass	3 kg	641mm L x 210mm W x 51mm H
		7 lbs	25 1/4"L x 8 1/4"W x 2"H

# Dimensions



Copyright ©2011 Micro Matic USA, Inc. All Rights Reserved.

00338D1008



**MICRO MATIC**

[www.micromatic.com](http://www.micromatic.com)

Toll Free: 1-(866) 327-4159

West	Central	Southeast	Northeast
19791 Bahama Street Northridge, CA 91324 Tel. (818) 701-9765 Fax. (818) 701-9844	10726 North Second Street Machesney Park, IL 61115 Tel. (815) 968-7557 Fax. (815) 968-0363	2364 Simon Court Brooksville, FL 34604 Tel. (352) 799-6331 Fax. (352) 796-2429	4601 Saucon Creek Road Center Valley, PA 18034 Tel. (610) 625-4464 Fax. (610) 625-4466

**Draft Tower****Metropolis H - 12 Faucet**

- Metropolis draft towers have a distinctive art deco style.
- The draft tower is a marketing tool, not just a bar fixture.
- Exterior finish will provide years of durable service.
- All stainless steel contact with the beer for the ultimate in draft purity.



PVD Brass

**METRO-H-12PVDKR**

Stainless Steel

**METRO-H-12PSSKR****Features**

Faucet knobs not included.

PVD Brass  
Tarnish Free.Certified  
by the National  
Sanitation Foundation.Stainless Steel  
beer contact for the pure  
taste of fresh draft beer.

The integrated Kool-Rite module provides optimum cooling at the point of dispense. The module construction makes the installation process as simple as PLUG "N" POUR.

[www.micromatic.com](http://www.micromatic.com)**1 (866) 327-4159**

# Specifications

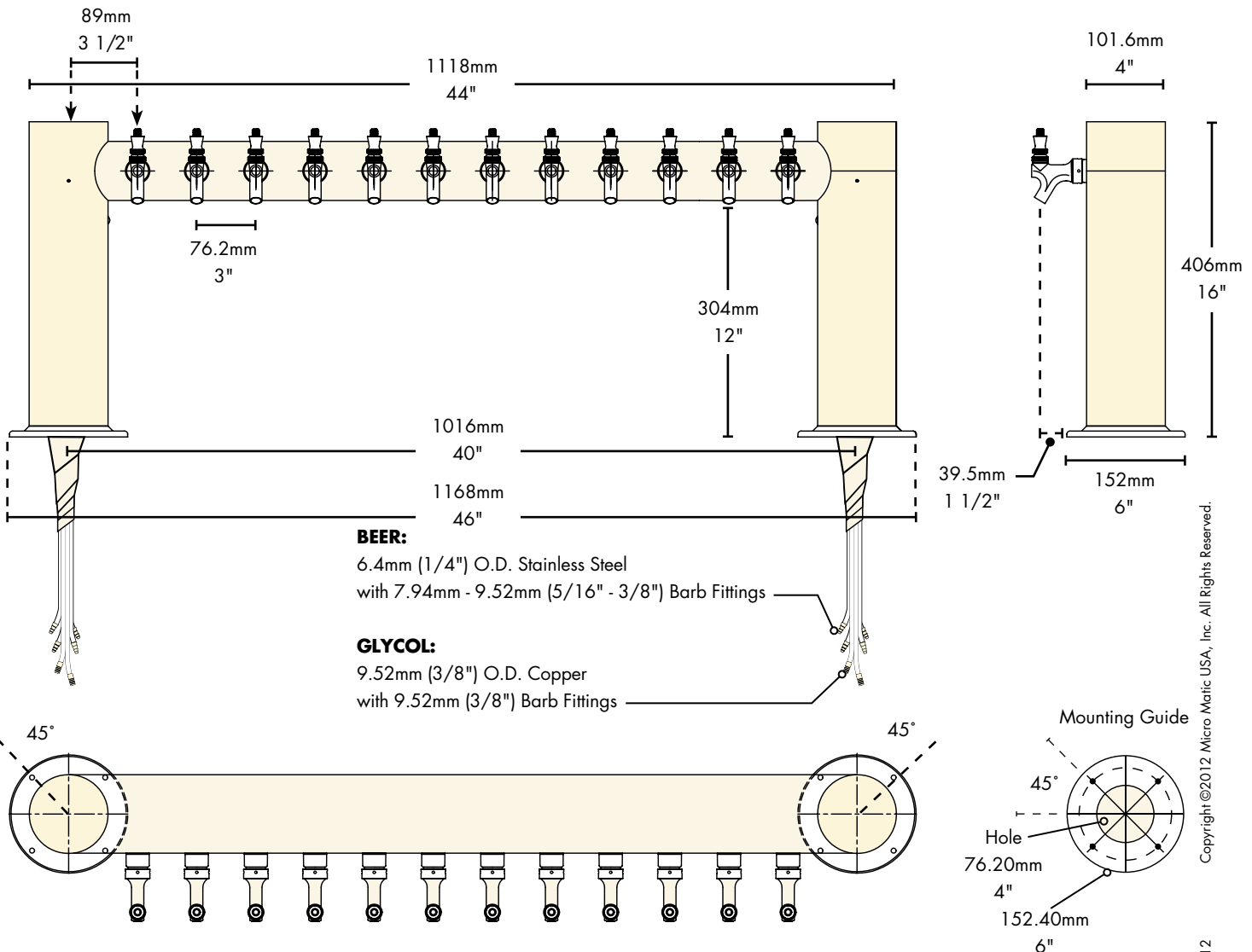
Micro Matic reserves the right to change specifications without notice.

**AUTOQUOTES**

Part No.	Faucets	Finish	Dispense System	Shipping Weight	Box Dimensions
<input type="checkbox"/> <b>METRO-H-12PSSKR*</b>	12	Polished S/S	Kool-Rite (Glycol)	23 kg 51 lbs	1270mm L x 1016mm W x 381mm H 50"L x 40"W x 15"H
<input checked="" type="checkbox"/> <b>METRO-H-12PVDKR*</b>	12	PVD Brass	Kool-Rite (Glycol)	23 kg 51 lbs	1270mm L x 1016mm W x 381mm H 50"L x 40"W x 15"H

NSF Certified

# Dimensions



Toll Free: 1-(866) 327-4159			
West	Central	Southeast	Northeast
19791 Bahama Street Northridge, CA 91324 Tel. (818) 701-9765 Fax. (818) 701-9844	10726 North Second Street Machesney Park, IL 61115 Tel. (815) 968-7557 Fax. (815) 968-0363	2364 Simon Court Brooksville, FL 34604 Tel. (352) 799-6331 Fax. (352) 796-2429	4601 Saucon Creek Road Center Valley, PA 18034 Tel. (610) 625-4464 Fax. (610) 625-4466



# Drip Tray

## Surface Mount Series with Cutouts 8" x 40"

- Designed specifically for Metropolis H draft towers.
- Robust 18 gauge stainless steel construction.
- Welded corners, finished smooth for safety and appearance.
- Perforated screen for maximum drip coverage.



Stainless Steel  
**DP-MET-H-40**



PVD Brass  
**DP-MET-H-SSPVD-40**

## Features



Tarnish Free  
PVD Brass.



Stainless Steel for  
improved hygiene  
and durability.

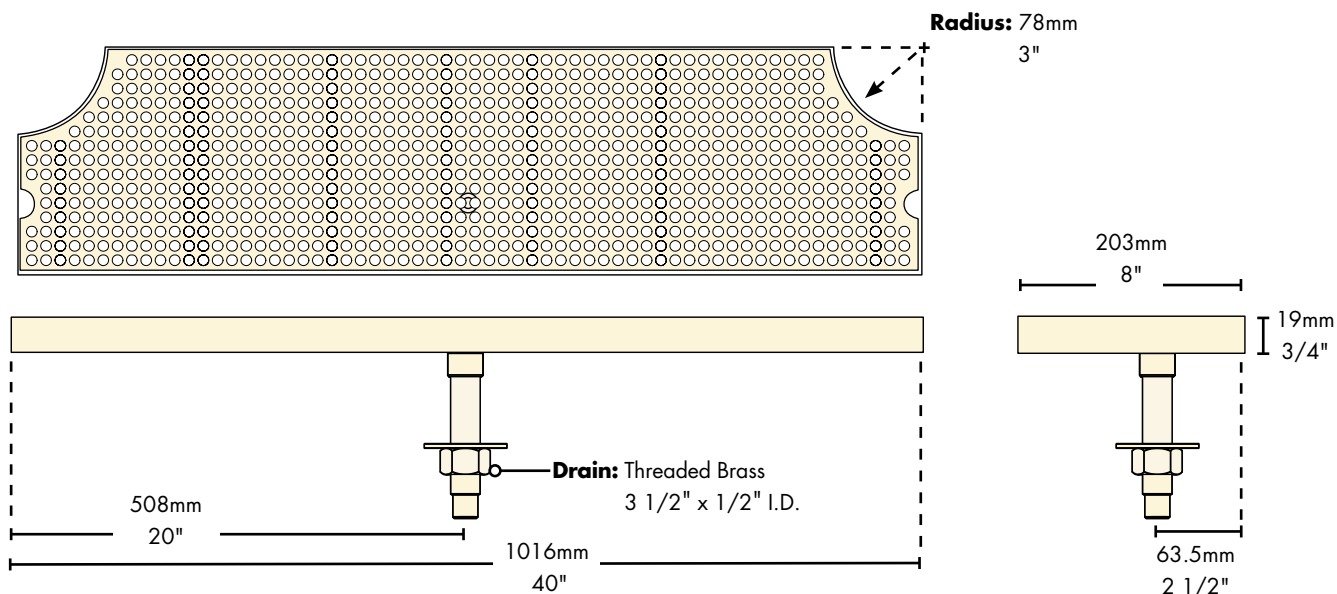
## Specifications

Micro Matic reserves the right to change specifications without notice.

**AUTOQUOTES**

Part No.	Description	Shipping Weight	Box Dimensions
<input type="checkbox"/> <b>DP-MET-H-40</b>	Stainless Steel	5 kg 11 lbs	1041mm L x 210mm W x 51mm H 41"L x 8 1/4"W x 2"H
<input checked="" type="checkbox"/> <b>DP-MET-H-SSPVD-40</b>	PVD Brass	5 kg 11 lbs	1041mm L x 210mm W x 51mm H 41"L x 8 1/4"W x 2"H

## Dimensions



Copyright ©2011 Micro Matic USA, Inc. All Rights Reserved.

00333.D0808



[www.micromatic.com](http://www.micromatic.com)

Toll Free: 1-(866) 327-4159

**West**

19791 Bahama Street  
Northridge, CA 91324  
Tel. (818) 701-9765  
Fax. (818) 701-9844

**Central**

10726 North Second Street  
Machesney Park, IL 61115  
Tel. (815) 968-7557  
Fax. (815) 968-0363

**Southeast**

2364 Simon Court  
Brooksville, FL 34604  
Tel. (352) 799-6331  
Fax. (352) 796-2429

**Northeast**

4601 Saucon Creek Road  
Center Valley, PA 18034  
Tel. (610) 625-4464  
Fax. (610) 625-4466

# POWER PACK

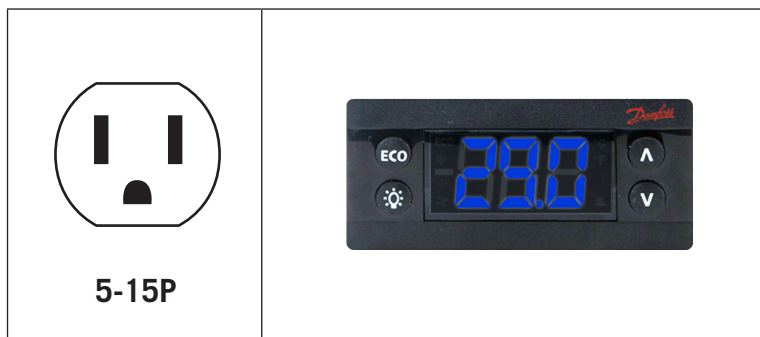
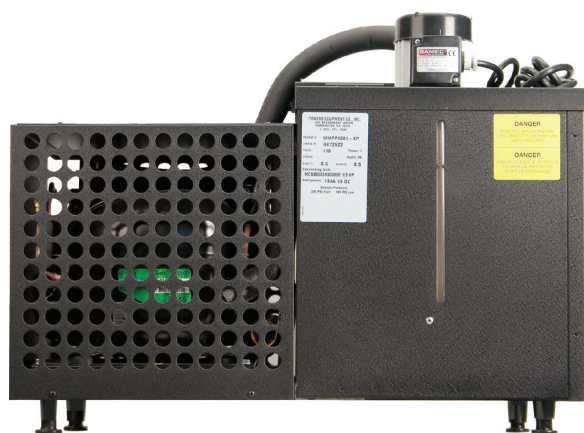


## COOLING DISTANCE 75'

- Engineered by beer-industry experts for performance and value.
- Digital thermostat for accurate glycol bath temperature.
- Expanded urethane foam insulates cabinet to maintain glycol temperature and minimize condensation.
- Exterior sight glass to verify glycol bath level.



**MMPP4301-EP**



 ETL Listed.

## Specifications

Micro Matic reserves the right to change specifications without notice.

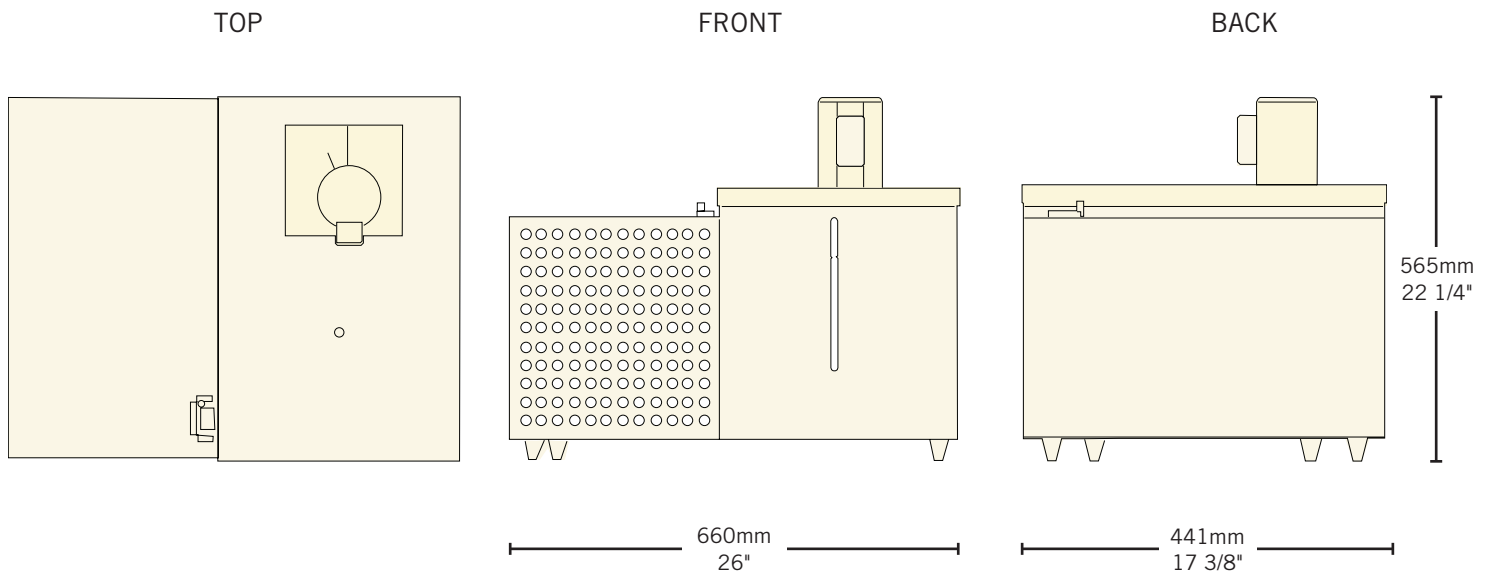


Part No.	Description	Shipping Weight	Box Dimensions
<input checked="" type="checkbox"/> MMPP4301-EP	Air Cooled	53 kg 118 lbs	711mm L x 533mm W x 660mm H 28"L x 21"W x 26"H

## Operating Performance

Compressor	1/3 HP
BTU per hour	2,300
Plug Type (NEMA #)	5-15P
Voltage	115
Running	7.0A
Refrigerant	R-134a
Charge	0.28 kg (10 oz)
Bath Capacity	17 litre (4.5 Gallons)
Pump Type	Vertical
Inlet Barb	9.52mm (3/8")
Outlet Barb	9.52mm (3/8")
Cabinet Cover	Included

## Dimensions



Toll-Free: 1-866-327-4159  
[www.micromatic.com](http://www.micromatic.com)

### West

19791 Bahama St.  
 Northridge, CA 91324  
 Tel. (818) 701-9765  
 Fax. (818) 701-9844

### Central

10726 North Second St.  
 Machesney Park, IL 61115  
 Tel. (815) 968-7557  
 Fax. (815) 968-0363

### Southeast

2364 Simon Ct.  
 Brooksville, FL 34604  
 Tel. (352) 799-6331  
 Fax. (352) 796-2429

### Northeast

4601 Saucon Creek Rd.  
 Center Valley, PA 18034  
 Tel. (610) 625-4464  
 Fax. (610) 625-4466

**POWER PACK****DOUBLE STATION - COOLING DISTANCE 125'**

- Engineered by beer-industry experts for performance and value.
- Digital thermostat for accurate glycol bath temperature.
- Expanded urethane foam insulates cabinet to maintain glycol temperature and minimize condensation.
- Anti-vibration pads reduce motor noise.

**MMPP4301-PKG****L5-30P**

## Specifications

Micro Matic reserves the right to change specifications without notice.

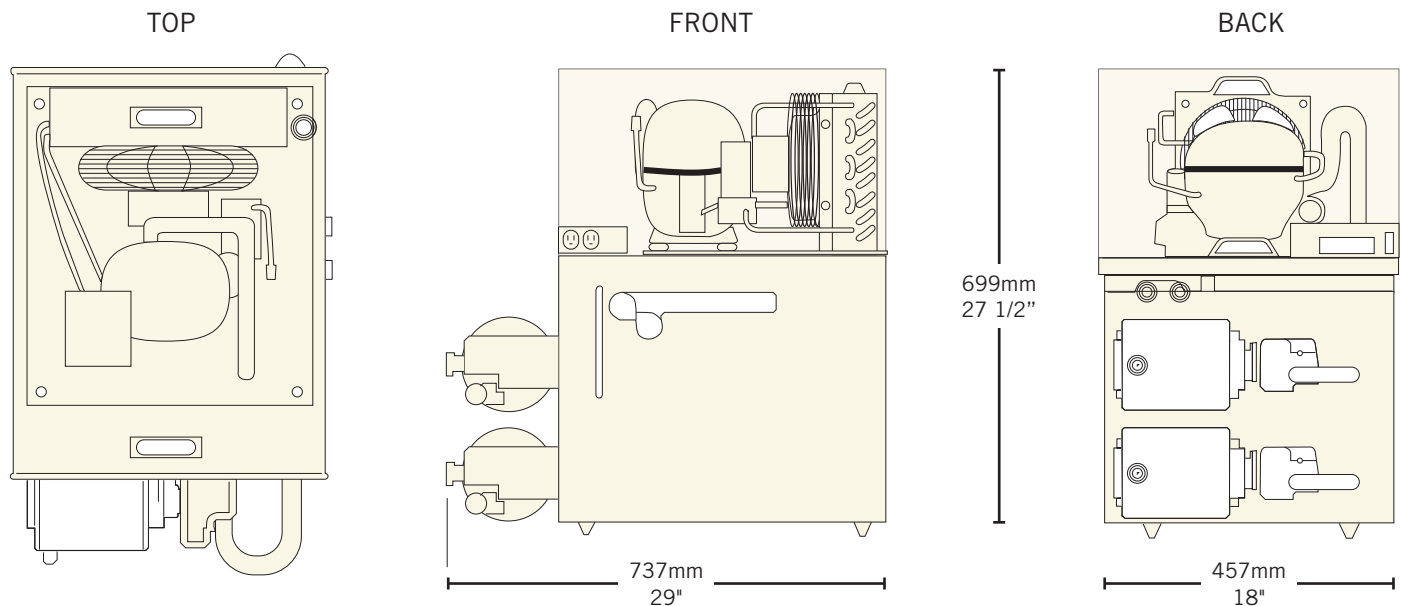


Part No.	Description	Shipping Weight	Box Dimensions
<input checked="" type="checkbox"/> MMPP4301-PKG	Air Cooled	58 kg 128 lbs	787mm L x 533mm W x 813mm H 31"L x 21"W x 32"H
<input type="checkbox"/> MMPP4301-PKG-WC	Water Cooled	58 kg 128 lbs	787mm L x 533mm W x 813mm H 31"L x 21"W x 32"H

## Operating Performance

Compressor	1/3 HP	<b>Water Cooled Model</b>	
BTU per hour	2,300	<b>Water Inlet &amp; Outlet Fitting</b>	Female 3/8" NPT
Plug Type (NEMA #)	L5-30P	<b>Minimum Water Pipe Size</b>	3/8"
Voltage	115	<b>Inlet Water Pressure</b>	Less than 80 PSIG
Running	19.5A	<b>Water Usage</b>	.3 GPM. Water is only used when the temperature of the condenser rises high enough to open the cooling inlet valve. This is approximately 40% of the operating time depending on ambient temperature and usage.
Refrigerant	R-134a	<b>Condenser Inlet Water Temperature</b>	75°F
Charge	0.34 kg (12 oz)	<b>Maximum Outlet Water Temperature</b>	95°F to minimize water scaling with the condenser.
Bath Capacity	43.5 litre (11.5 Gallons)		
Pump Type	Vane		
Inlet Barb	9.52mm (3/8")		
Outlet Barb	9.52mm (3/8")		

## Dimensions



Toll-Free: 1-866-327-4159  
[www.micromatic.com](http://www.micromatic.com)

### West

19791 Bahama St.  
 Northridge, CA 91324  
 Tel. (818) 701-9765  
 Fax. (818) 701-9844

### Central

10726 North Second St.  
 Machesney Park, IL 61115  
 Tel. (815) 968-7557  
 Fax. (815) 968-0363

### Southeast

2364 Simon Ct.  
 Brooksville, FL 34604  
 Tel. (352) 799-6331  
 Fax. (352) 796-2429

### Northeast

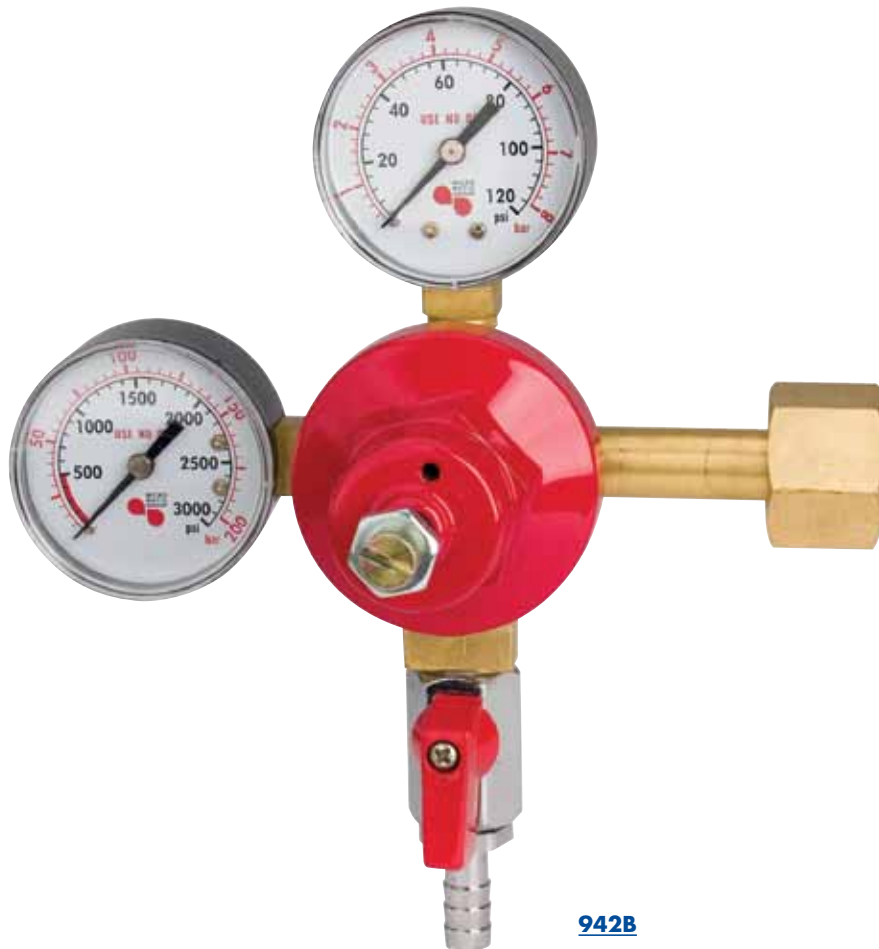
4601 Saucon Creek Rd.  
 Center Valley, PA 18034  
 Tel. (610) 625-4464  
 Fax. (610) 625-4466



# High Pressure Regulator

## Double Gauge CO2

- Use with on-site gas blenders for best performance.
- Regulates output pressure up to 110 psig.
- Forged brass and die cast for durability, flow control inlet nipple filter.
- Built-in safety, pressure relief valve (PRV) releases at 115-125 PSI.



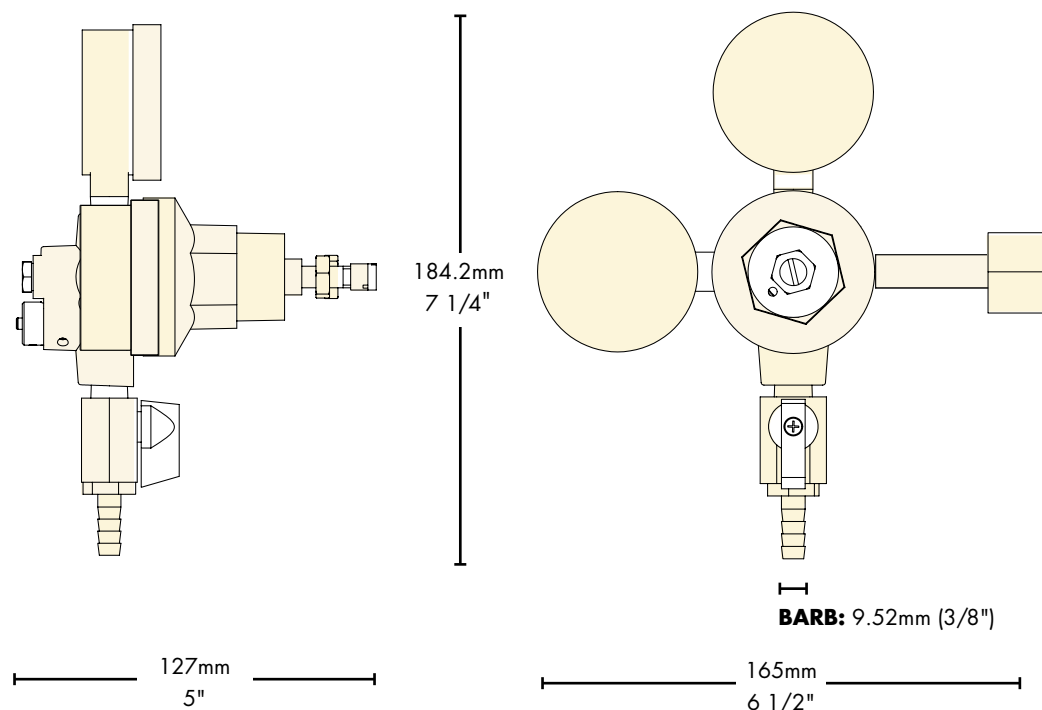
## Specifications

Micro Matic reserves the right to change specifications without notice.

**AUTOQUOTES**

Part No.	Description	Shipping Weight	Box Dimensions
<input type="checkbox"/> <b>942B</b>	High Pressure CO2 Regulator	1 kg	305mm L x 254mm W x 153mm H
		3 lbs	12"L x 10"W x 6"H

## Dimensions



Copyright ©2011 Micro Matic USA, Inc. All Rights Reserved.

00162D1008



[www.micromatic.com](http://www.micromatic.com)

Toll Free: 1-(866) 327-4159

West	Central	Southeast	Northeast
19791 Bahama Street Northridge, CA 91324 Tel. (818) 701-9765 Fax. (818) 701-9844	10726 North Second Street Machesney Park, IL 61115 Tel. (815) 968-7557 Fax. (815) 968-0363	2364 Simon Court Brooksville, FL 34604 Tel. (352) 799-6331 Fax. (352) 796-2429	4601 Saucon Creek Road Center Valley, PA 18034 Tel. (610) 625-4464 Fax. (610) 625-4466



# High Pressure Regulator

## Double Gauge Nitrogen

- Use with on-site gas blenders for best performance.
- Regulates output pressure up to 110 psig.
- Forged brass and die cast for durability, flow control inlet nipple filter.
- Built-in safety, pressure relief valve (PRV) releases at 115-125 PSI.



942BN

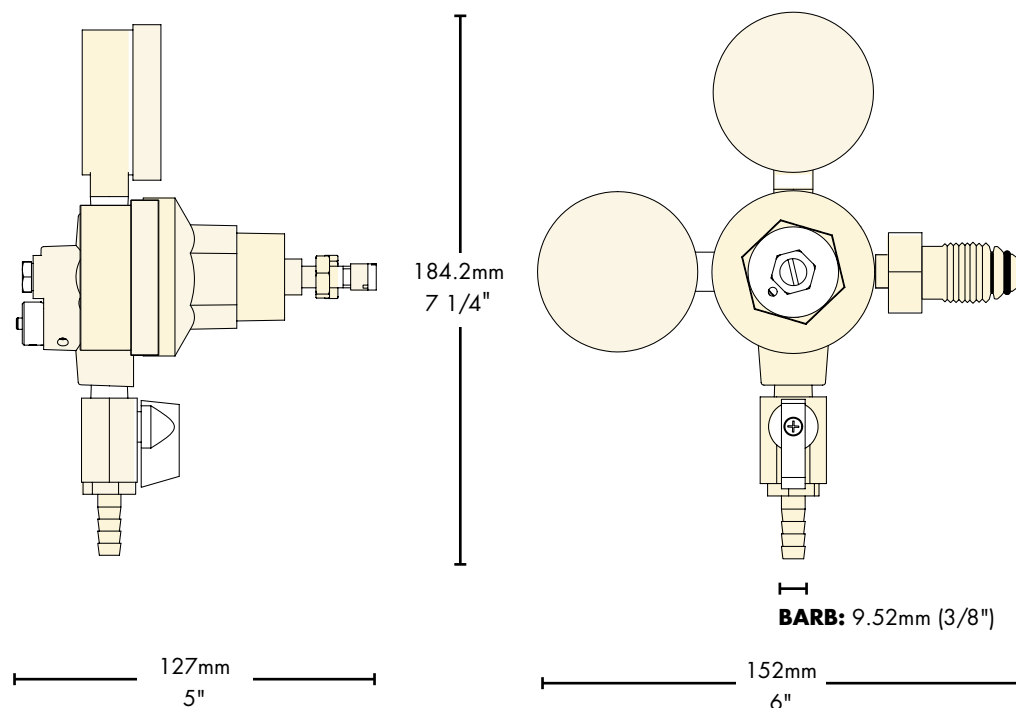
## Specifications

Micro Matic reserves the right to change specifications without notice.

**AUTOQUOTES**

Part No.	Description	Shipping Weight	Box Dimensions
<input type="checkbox"/> <b>942BN</b>	High Pressure Nitrogen Regulator	1 kg	305mm L x 254mm W x 152mm H
		3 lbs	12"L x 10"W x 6"H

## Dimensions



Copyright ©2011 Micro Matic USA, Inc. All Rights Reserved.

00158D1008



[www.micromatic.com](http://www.micromatic.com)

Toll Free: 1-(866) 327-4159

West	Central	Southeast	Northeast
19791 Bahama Street Northridge, CA 91324 Tel. (818) 701-9765 Fax. (818) 701-9844	10726 North Second Street Machesney Park, IL 61115 Tel. (815) 968-7557 Fax. (815) 968-0363	2364 Simon Court Brooksville, FL 34604 Tel. (352) 799-6331 Fax. (352) 796-2429	4601 Saucon Creek Road Center Valley, PA 18034 Tel. (610) 625-4464 Fax. (610) 625-4466

# Regulator Panel Kit



2 Keg

- Present an organized walk-in cooler.
- Fast installation with pre-assembled panels.
- Dial in specific gas pressure for each keg.
- The purity of stainless steel fittings at all beer contact points.



**83215**

## Features



Regulators  
Listed by  
Underwriters  
Laboratories.



Stainless Steel  
beer contact for the pure  
taste of fresh draft beer.

[www.micromatic.com](http://www.micromatic.com)

1 (866) 327-4159

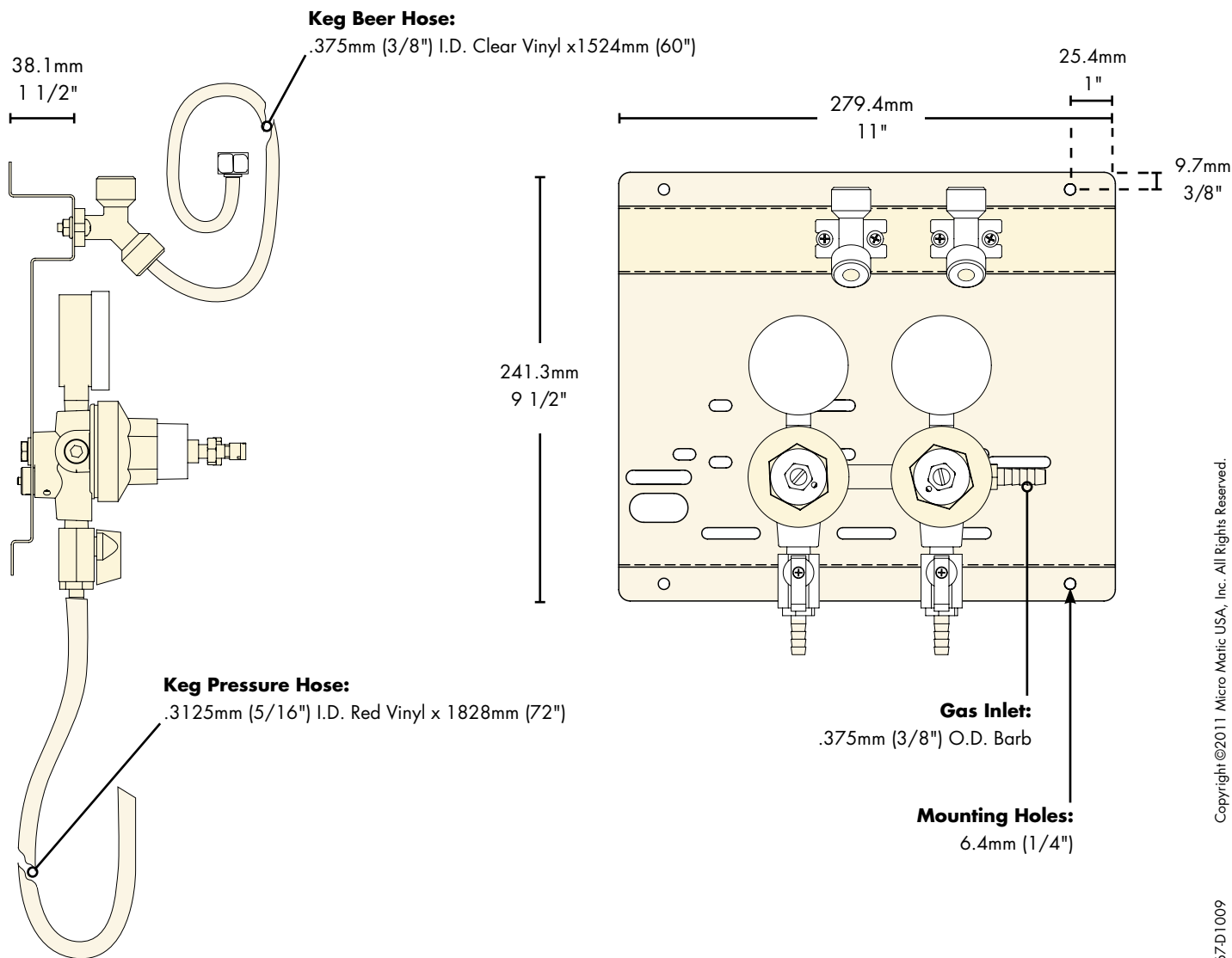
# Specifications

Micro Matic reserves the right to change specifications without notice.

**AUTOQUOTES**

Part No.	Description	Shipping Weight	Box Dimensions
<b>83215</b>	2 Secondary Regulator / 2 Keg	5 kg	406mm L x 356mm W x 229mm H
		11 lbs	16"L x 14"W x 9"H

# Dimensions



Copyright ©2011 Micro Matic USA, Inc. All Rights Reserved.

00167D1009



[www.micromatic.com](http://www.micromatic.com)

Toll Free: 1-(866) 327-4159

**West**

19791 Bahama Street  
Northridge, CA 91324  
Tel. (818) 701-9765  
Fax. (818) 701-9844

**Central**

10726 North Second Street  
Machesney Park, IL 61115  
Tel. (815) 968-7557  
Fax. (815) 968-0363

**Southeast**

2364 Simon Court  
Brooksville, FL 34604  
Tel. (352) 799-6331  
Fax. (352) 796-2429

**Northeast**

4601 Saucon Creek Road  
Center Valley, PA 18034  
Tel. (610) 625-4464  
Fax. (610) 625-4466




# PRO-MAX (FOB DETECTOR)

STAINLESS STEEL

- PRO-MAX FOB (Foam On Beer) Detector is essential for all long draw beer lines.
- Eliminate foam and wasted beer when a keg is emptied.
- Replace the keg, reset the FOB, and beer is flowing again.
- Stainless steel contact with the beer for the ultimate in draft purity.



**PRO-MAX-1**

 Stainless Steel for improved hygiene and durability.

[www.micromatic.com](http://www.micromatic.com) • 1 (866) 327-4159

PRO-MAX-1 STAINLESS STEEL

Job Number: \_\_\_\_\_ Location: \_\_\_\_\_

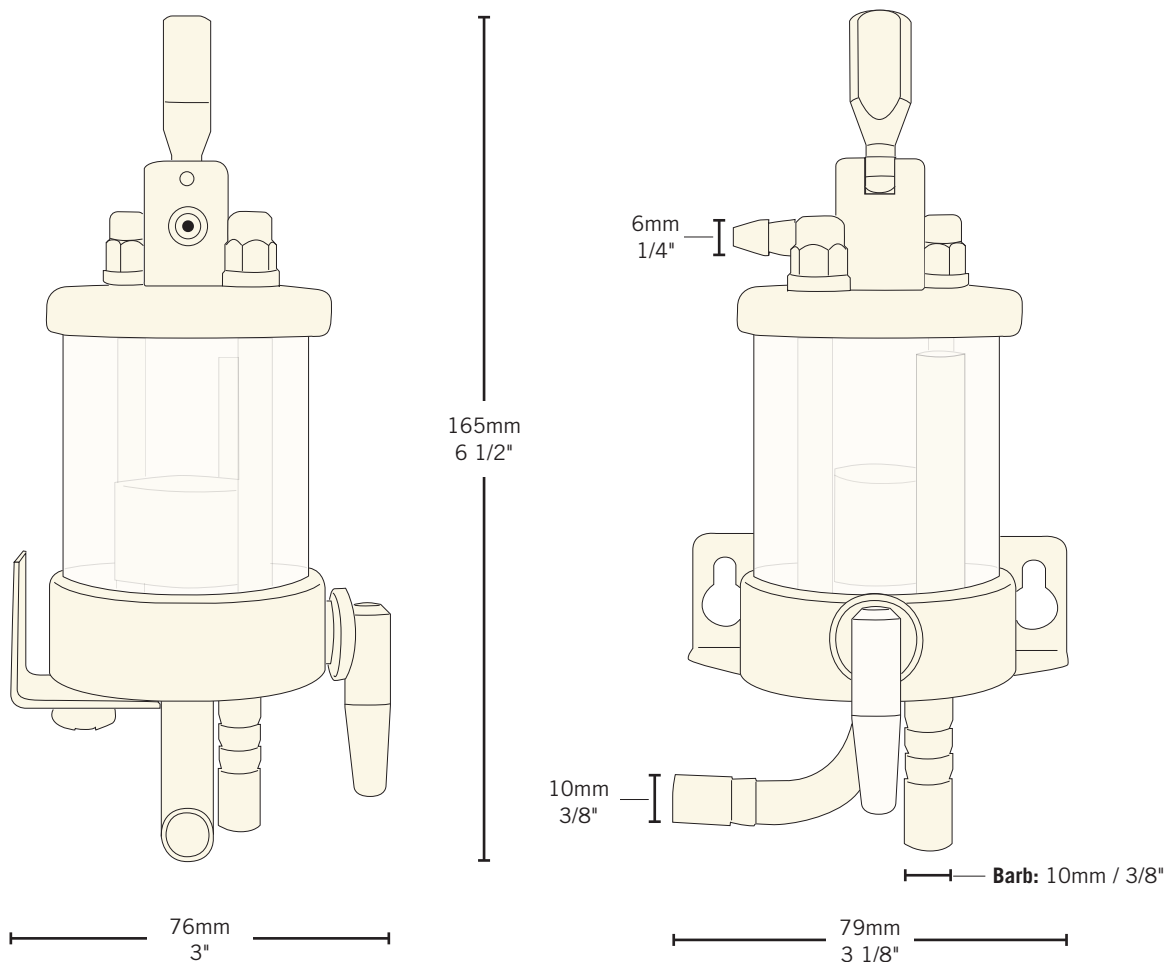
# Specifications

Micro Matic reserves the right to change specifications without notice.



Part No.	Description	Shipping Weight	Box Dimensions
□ PRO-MAX-1	Stainless Steel	2 kg	356mm L x 203mm W x 102mm H
		3 lbs	14"L x 8"W x 4"H

# Dimensions



**MICRO MATIC**  
 Toll-Free: 1-866-327-4159  
[www.micromatic.com](http://www.micromatic.com)

**West**  
 19791 Bahama St.  
 Northridge, CA 91324  
 Tel. (818) 701-9765  
 Fax. (818) 701-9844

**Central**  
 10726 North Second St.  
 Machesney Park, IL 61115  
 Tel. (815) 968-7557  
 Fax. (815) 968-0363

**Southeast**  
 2364 Simon Ct.  
 Brooksville, FL 34604  
 Tel. (352) 799-6331  
 Fax. (352) 796-2429

**Northeast**  
 4601 Saucon Creek Rd.  
 Center Valley, PA 18034  
 Tel. (610) 625-4464  
 Fax. (610) 625-4466